

INCH-POUND

MIL-PRF-44073H
24 July 2017
SUPERSEDING
MIL-PRF-44073G
11 September 2009

PERFORMANCE SPECIFICATION

PACKAGING OF FOOD IN FLEXIBLE POUCHES

This specification is approved for use by all Departments and Agencies of the Department of Defense.

1. SCOPE AND CLASSIFICATION

1.1 Scope. This specification covers the performance criteria for packaging materials and the packaging of food in flexible pouches to include the filling and hermetic sealing of the pouches and, when applicable, the packaging of the pouches into sleeves. The appendix of this specification provides additional guidance to help the specification developer define section 3. requirements.

1.2 Classification. Pouches are of the following types, styles and designs, as specified (see 6.2).

1.2.1 Types.

Type I – Single Serving Pouch (SSP)

Type II – Institutional Size Pouch (ISP)

Comments, suggestions, or questions on this document should be addressed to US Army Research, Development and Engineering Command, Natick Soldier Research, Development and Engineering Center, RDNS-SEC-EMR, 10 General Greene Avenue., Natick, MA 01760-5018 or emailed to elizabeth.r.painter2.civ@mail.mil. Since contact information can change, you may want to verify the currency of this address information using the ASSIST Online database at <https://assist.dla.mil/>.

AMSC N/A

FSC 89GP

DISTRIBUTION STATEMENT A. Approved for public release; distribution is unlimited.

MIL-PRF-44073H

1.2.2 Styles.

Style 1 – Rectangular pouch

Style 2 – Shaped pouch with side spout (Figure 4, see appendix)

Style 3 – Shaped pouch with center spout (Figure 5, see appendix)

1.2.3 Designs.

Design A – Horizontal directional tear

2. APPLICABLE DOCUMENTS

2.1 General. The documents listed in this section are specified in sections 3, 4 or 5 of this specification. This section does not include documents cited in other sections of this specification or recommended for additional information or as examples. While every effort has been made to ensure the completeness of this list, document users are cautioned that they must meet all specified requirements of documents cited in sections 3, 4 or 5 of this specification, whether or not they are listed.

2.2 Government documents.

2.2.1 Specifications, standards, and handbooks. None.

2.2.2 Other government documents, drawings and publications. The following other Government documents, drawings, and publications form a part of this document to the extent specified herein. Unless otherwise specified, the issues of these documents are those cited in the solicitation or contract.

U.S. DEPARTMENT OF HEALTH AND HUMAN SERVICES

Federal Food, Drug and Cosmetic Act and regulations (21 Code of Federal Regulations (CFR), Parts 170-199)

(Copies of this document are available from www.access.gpo.gov/nara or Superintendent of Documents, ATTN: New Orders, P.O. Box 371954, Pittsburgh, PA 15250-7954.)

2.3 Non-Government publications. The following documents, drawings, and publications form a part of this document to the extent specified herein. Unless otherwise specified, the issues of these documents are those cited in the solicitation or contract.

MIL-PRF-44073H

AMERICAN SOCIETY FOR TESTING AND MATERIALS (ASTM)

ASTM-D999 – Methods for Vibration Testing of Shipping Containers

ASTM-D1974/D1974M – Standard Practice for Methods of Closing, Sealing, and Reinforcing Fiberboard Boxes

ASTM-D3985 – Oxygen Gas Transmission Rate Through Plastic Film and Sheeting Using a Coulometric Sensor

ASTM-D4727/D4727M – Standard Specification for Corrugated and Solid Fiberboard Sheet Stock (Container Grade) and Cut Shapes

ASTM-D5118/D5118M – Standard Practice for Fabrication of Fiberboard Shipping Boxes

ASTM-D5276 – Test Method for Drop Test of Loaded Containers by Free Fall

ASTM-F372 – Standard Test Method for Water Vapor Transmission of Flexible Barrier Materials Using an Infrared Detection Technique

(Copies of these documents are available at www.astm.org or from ASTM International, 100 Barr Harbor Drive, PO Box C700, West Conshohocken, PA 19428-2959.)

2.4 Order of precedence. In the event of a conflict between the text of this document and the references cited herein, the text of this document takes precedence. Nothing in this document, however, supersedes applicable laws and regulations unless a specific exemption has been obtained.

3. REQUIREMENTS

3.1 Performance characteristics.

3.1.1 Pouch material. The pouch material shall be capable of being fabricated into pouches. The material used for the pouch shall be generally recognized as safe (GRAS) for use with food in accordance with 21 CFR, Parts 170-199 or other standards and regulations. Recycled, recovered, or environmentally preferable materials should be used to the maximum extent possible, provided that the material meets or exceeds the operational and maintenance requirement, and promotes economically advantageous life cycle costs.

3.1.1.1 Oxygen transmission rate. The oxygen transmission rate (O₂TR) of the material shall not exceed 0.06 cc/m²/24 hrs/atm.

MIL-PRF-44073H

3.1.1.2 Water vapor transmission rate. The water vapor transmission Rate (WVTR) of the material shall not exceed 0.01 gm/m²/24 hrs.

3.1.1.3 Thermal processing. The pouches shall be capable of withstanding the process specified in the applicable food document. If the material used is a multi-layered laminate, it shall show no evidence of delamination after thermal processing.

3.1.2 Pouch configurations and dimensions. Pouch configurations and dimensions for 5 and 8 ounce Single Serving Pouch (SSP) pouches shall be as specified in figures 1, 1A, 2A, 4, 5 or 6, as applicable (see 6.2 and appendix). Pouch configuration and dimensions for the Institutional Size Pouch (ISP) shall be as specified in figure 3 (see 6.2 and appendix). Commercial pouches [packaging material, construction, and graphics (colors, design and labeling)] shall be submitted to the Contracting Officer for review and approval and to US Army Research, Development and Engineering Command, Natick Soldier Research, Development and Engineering Center, RDNS-SEC-EMR for review and recommendation.

3.1.2.1 Directional tear. As applicable, the pouch material shall be modified (in one or more layers) to provide a straight tear along the lengthwise axis of the pouch.

3.1.3 Pouch filling.

3.1.3.1 Eight ounce pouch. Products requiring an average net weight of 8 ounces or less but more than 5 ounces shall be filled into an 8 ounce size pouch. Placeable products may be filled into an 8 ounce pouch.

3.1.3.2 Five ounce pouch. Products requiring an average net weight of 5 ounces or less shall be filled into a 5 ounce size pouch.

3.1.3.3 Institutional size pouch. Products requiring an average net weight ranging from 48 to 104 ounces shall be filled into an ISP.

3.1.4 Filled, sealed and thermoprocessed pouch.

3.1.4.1 Closure seal. The closure seal width shall be a minimum 1/8 inch for conventional heat seals or a minimum 1.0 mm for ultrasonic seals. The closure seal shall be free of impression or design on the seal surface that would conceal or impair visual detection of seal defects. The closure seal shall be free of wrinkles, occluded matter, or evidence of entrapped moisture or grease that reduces the closure seal width to less than 1/16 inch at any location along its continuous path for conventional heat seals or reduces the closure seal width to less than 1.0 mm for ultrasonic seals.

3.1.4.2 Residual gas volume. Residual gas volume in filled and sealed SSP pouches

MIL-PRF-44073H

shall not exceed 20 cubic centimeters (cc), except pouches with five ounces of fruit shall not exceed 10 cc. Residual gas volume in the filled and sealed ISPs shall not exceed 250 cc.

3.1.4.3 Internal pressure. The pouches shall be filled and hermetically sealed such that after thermal processing, the pouches shall withstand the applicable pressure for 30 seconds.

3.1.4.4 Camouflage. The color of outside surfaces of the SSP pouch, after thermal processing, shall contribute to field camouflage. For ISP, commercial pouches are acceptable.

3.1.4.5 Pouch defects. Filled, sealed and thermally processed pouches shall be free of damage (such as, but not limited to, tears, cuts, holes, or if a multi-layer laminate is used, abrasions through one or more layers in the pouch material, or leakage through any seal).

3.2 Environmental conditions.

3.2.1 Low temperature (Type I). After thermal processing, the filled and sealed SSP pouch shall withstand pouch abuse at 28°F with a survival rate of 75 percent.

3.2.2 High temperature (Type I). After thermal processing, the filled and sealed SSP pouch shall withstand pouch abuse at 160°F with a survival rate of 100 percent.

3.2.3 Standard temperature (Type II). After thermal processing, the filled and sealed ISP shall withstand pouch abuse at 72°F with a survival rate of 100 percent.

3.2.4 Frozen temperature (Type II). After thermal processing, the filled and sealed ISP shall withstand pouch abuse at -20°F with a survival rate of 75 percent.

3.3 Sleeve design. Sleeves, when specified in the applicable food product document, shall meet the following criteria.

3.3.1 Sleeve design for 8 ounce size pouches (Type I, Style 1). The SSP sleeve shall be constructed in accordance with figure 6. When folded along the score lines located at the bottom of the sleeve, an open-ended carton shall result. Each SSP sleeve shall be securely sealed along the glue joint. The seal shall have a bond strength greater than the fiber tear of the paperboard.

3.3.2 Sleeve color. The color of all sleeve surfaces shall be natural kraft, tan or dull gray.

3.3.3 Sleeve dimensions (Type I). The dimensions of the SSP sleeve shall be in accordance with figure 6.

MIL-PRF-44073H

3.3.4 Sleeve design (Type II). The ISP sleeve, when closed and sealed, shall enclose the pouch to prevent physical damage. The sleeve may have open or closed ends.

3.3.5 Sleeve dimensions (Type II). The outside length, width and height of the ISP sleeve shall not exceed 12-13/16 by 10-3/4 by 2-1/8 inches.

3.4 Packaging of pouches in sleeves.

3.4.1 Pouch in sleeve (Type II). Each ISP sleeve shall contain one pouch. One end of ISP may be folded to accommodate fitting the pouch into the sleeve.

3.4.2 Sleeve closure (Type II). The top and bottom faces of the sleeve shall be compressed and the ends taped. The closure shall have a bond strength greater than the fiber tear of the fiberboard.

3.5 Sleeve label (Type II). The following instructions shall be correctly and legibly labeled on the ISP sleeve. Type size of the label shall be no smaller than shown below (printed on 8-1/2 by 11 inch paper), but can be larger.

ATTENTION!

PROTECTIVE SLEEVE-DO NOT THROW AWAY

**SAVE AND RE-USE TO PROTECT
POUCH FROM DAMAGE**

To Avoid Damaging Pouch:

- 1. Keep Pouch in Sleeve Until Ready to Heat, Then Remove.**
- 2. Insert Pouch Back Into Sleeve After Heating.**
- 3. Always Use Sleeves When Transporting Pouches in Insulated Food Containers.**
- 4. If Sleeves Are Unavailable, Stack Pouches With Fiberboard Pads Between Pouches.**

In addition, the product name shall be correctly and legibly labeled on the sleeve.

3.6 Paperboard insert card (Type I). As applicable, the paperboard insert card shall meet the following criteria.

MIL-PRF-44073H

3.6.1 Paperboard insert card dimensions. The paperboard insert card shall not exceed 4 inches in width by 6 inches in length.

3.6.2.1 Paperboard insert card color. The color of the paperboard insert card shall be natural kraft, tan or dull gray.

3.6.3 Appendix. When this specification is referenced in documents for the packaging of an item or items, the requirements of the appendix of this specification shall be mandatory.

4. VERIFICATION

4.1 Conformance inspection. Conformance inspection shall include the examinations and tests in this section, as defined in the contract, performed on specified samples (see 6.2).

4.2 Performance characteristics testing. The pouch material, pouch and sleeve, as applicable, shall be tested for the performance characteristics listed in table I.

TABLE I. Verification methods

Characteristic <u>1/</u>	Requirement	Verification
Oxygen transmission rate	3.1.1.1	4.5.1
Water vapor transmission rate	3.1.1.2	4.5.2
Thermal processing	3.1.1.3	4.5.3
Pouch configurations and dimensions	3.1.2	Figures (see appendix)
Directional tear	3.1.2.1	4.5.4
Residual gas volume	3.1.4.2	4.5.5
Internal pressure	3.1.4.3	4.5.6
Camouflage (Type I), as applicable	3.1.4.4	4.5.7
Low temperature (Type I)	3.2.1	4.5.8.1
High temperature (Type I)	3.2.2	4.5.8.2
Standard temperature (Type II)	3.2.3	4.5.8.3
Frozen temperature (Type II)	3.2.4	4.5.8.4

MIL-PRF-44073H

1/ Compliance to the requirements for O₂TR, WVTR, pouch configurations and dimensions, directional tear, thermal processing, environmental conditions and camouflage may be verified by Certificate of Conformance (CoC).

4.3 Examination of pouch. After thermal processing, the pouches shall be visually examined for compliance. Defects and defect classifications are listed in table II.

TABLE II. Filled, sealed and thermally processed pouch defects

<u>Category</u>				<u>Defect</u>
<u>Critical</u>	<u>Major A</u>	<u>Major B</u>	<u>Minor</u>	
			1	Swollen pouch.
			2	Tear, cut, hole, or if a multi-layered laminate is used, abrasion through one or more layers in the pouch material or leakage through any seal.
			3	Foldover wrinkle extending into the seal such that the closure seal is reduced to less than 1/16 inch for heat seals or less than 1.0 mm for ultrasonic seals. <u>4/</u>
			4	Presence of entrapped matter (for example, product, moisture, grease, etc.) that reduces the closure seal to less than 1/16 inch for heat seals or less than 1.0 mm for ultrasonic seals. <u>4/</u>
			5	Presence of delamination when a multi-layered laminate is used. <u>1/</u>
			6	Closure seal less than 1/16 inch for heat seals or less than 1.0 mm for ultrasonic seals at any location along its continuous path. <u>4/</u>
	101			Unclean pouch. <u>2/</u>
	102			Unclean area above ultrasonic seal. <u>5/</u>
	103			Any impression or design on the seal surfaces which conceals or impairs visual detection of seal defects. <u>3/</u>

MIL-PRF-44073H

TABLE II. Filled, sealed and thermal processed pouch defects - Continued

Category				Defect
<u>Critical</u>	<u>Major A</u>	<u>Major B</u>	<u>Minor</u>	
	104			Minimum heat seal width not as specified in applicable figures.
	105			Closure seal not located as specified.
	106			Labeling missing or incorrect or illegible.
		151		Presence of delamination when a multi-layered laminate is used. <u>1/</u>
		152		For heat seals, closure seal width less than 1/8 inch but greater than or equal to 1/16 inch.
			201	Presence of delamination when a multi-layered laminate is used. <u>1/</u>
			202	Tear notches missing or not as specified.
			203	Tear notches not located as specified.
			204	Depth of tear notches not as specified.
			205	Color of SSP does not contribute to field camouflage, when applicable.
			206	Foreign odor.

1/ Delamination defect classification:

Critical - Evidence of outer ply delamination such that the adjacent ply in the pouch body is exposed or evidence of two ply delamination such that the food contact layer is exposed.

Major B - Delamination of the outer ply in the pouch seal area that can be propagated to expose the adjacent ply at the food product edge of the pouch after manual flexing of the delaminated area. To flex, the delaminated area shall be held between the thumb and forefinger of each hand with both thumbs and forefingers touching each other. The delaminated area shall then be rapidly flexed 10 times by rotating both hands in alternating clockwise-counter clockwise directions. Care shall be exercised when flexing delaminated areas near the tear notches to avoid tearing the pouch material. After flexing, the separated

MIL-PRF-44073H

outer ply shall be grasped between thumb and forefinger and gently lifted toward the food product edge of the seal or if the separated area is too small to be held between thumb and forefinger, a number two stylus shall be inserted into the delaminated area and a gentle lifting force applied against the outer ply. If separation of the outer ply can be made to extend to the product edge of the seal with no discernible resistance to the gentle lifting, the delamination shall be scored as a Major B defect. Additionally, spot delamination of the outer ply in the body of the pouch that is able to be propagated beyond its initial borders is also a Major B defect. To determine if the delaminated area is a defect, use the following procedure: Mark the outside edges of the delaminated area using a bold permanent marking open. Open the pouch and remove the contents. Cut the pouch transversely not closer than 1/4 inch (\pm 1/16 inch) from the delaminated area. The pouch shall be flexed in the area in question using the procedure described above. Any propagation of the delaminated area, as evidenced by the delaminated area exceeding the limits of the outlined borders, shall be scored as a Major B defect.

Minor - Minor delamination of the outer ply in the pouch seal area is acceptable and shall not be classified as a minor defect unless it extends to within 1/16 inch of the food product edge of the seal. All other minor outer ply delamination in the pouch seal area or isolated spots of delamination in the body of the pouch that do not propagate when flexed as described above shall be classified as minor.

2/ The following examples shall not be scored as defects for unclean when present on the exterior of the pouch:

- a. Water spots.
- b. On SSP, two or less specks of dried product each of which measure 1/8 inch by 1/8 inch or equivalent area, or less. On ISP, ten or less specks of dried product each of which measure 1/8 inch by 1/8 inch or equivalent area, or less.
- c. Any foreign matter which presents no health hazard or no potential pouch damage and which readily falls off when pouch is lifted and shaken lightly.
- d. Very thin film of grease, oil, or product residue which is discernible to touch, but not readily discernible by visual examinations.
- e. Thin strips or drops of adhesive.

3/ If doubt exists as to whether or not the sealing equipment leaves an impression or design on the seal surfaces that could conceal or impair visual detection of seal defects, samples shall be furnished to the contracting officer for a determination as to acceptability.

MIL-PRF-44073H

4/ An internal pressure test may be used to verify pouch integrity for ultrasonically sealed pouches that are difficult to measure or quantify during visual inspection.

5/ The following examples shall not be scored as a defect within the flap above an ultrasonic seal:

a. Entrapped food particulates (when fully enclosed by a cosmetic heat seal applied prior to thermal processing).

b. Staining of the pouch material caused by food product contact.

4.4 Examination of pouch and sleeve (or insert card). When applicable, the pouch and accompanying sleeve (or insert card) shall be examined for compliance. Defects and defect classifications are listed in table III.

TABLE III. Pouch and sleeve (or insert card) defects

Category			Defect
<u>Critical</u>	<u>Major</u>	<u>Minor</u>	
1			Tear, hole, or puncture through sleeve or open sleeve causing a hole in the pouch or obviously wet or stained sleeve due to leaking pouch. <u>1/</u>
	101		Tear or hole in sleeve exposing pouch to potential damage. <u>1/</u>
	102		Sleeve not clean.
	103		Bond strength in SSP sleeve glue joint is not greater than fiber strength of paperboard sleeve. <u>2/</u>
	104		ISP pouch does not fit into the ISP sleeve. <u>1/ 3/</u>
	105		Dimensions of paperboard sleeve not as specified. <u>2/</u>
		201	Tear or hole in sleeve not exposing pouch to potential damage. <u>1/</u>
		202	Color of sleeve or insert card not as specified. <u>2/</u>
		203	Labeling missing or incorrect or illegible.

MIL-PRF-44073H

TABLE III. Pouch and sleeve (or insert card) defects - Continued

Category			Defect
<u>Critical</u>	<u>Major</u>	<u>Minor</u>	
		204	The ISP sleeve not closed as specified. <u>1/</u>
		205	Foreign odor.
		206	The SSP sleeve does not form an open-ended carton when correctly folded along the bottom scores. <u>2/</u>
		207	Dimensions of paperboard insert card not as specified. <u>2/</u>

1/ Type II only.

2/ A CoC may be accepted as evidence of conformance.

3/ Pouches with a folded end shall not be scored as a defect.

4.5 Tests.

4.5.1 Oxygen transmission rate. The oxygen transmission rate of the material shall be determined in accordance with ASTM D3985, at 73°F and 50 % relative humidity. Any oxygen transmission rate exceeding 0.06 cc/m²/24 hrs/atm shall be considered a test failure and shall be cause for rejection of the lot.

4.5.2 Water vapor transmission rate. The water vapor transmission rate of the material shall be determined in accordance with ASTM F372, at 100°F and 90 % relative humidity. Any water vapor transmission rate exceeding 0.01 gm/m²/24 hrs shall be considered a test failure and shall be cause for rejection of the lot.

4.5.3 Thermal processing. Testing for thermal processing of the pouches shall be as follows: Pouches shall be filled with five, eight, or 48 to 104 ounces of water, as applicable to the pouch size, sealed and exposed to the same thermal processing conditions as required for filled and sealed pouches by the food product document. Following thermal processing, pouches shall be examined visually. Any pouch material defect as a result of thermal processing shall be considered a test failure and shall be cause for rejection of the lot.

4.5.4 Directional tear test. Pouches that have been designed to be opened lengthwise shall be tested for directional tear performance. Samples shall be randomly drawn from each production lot and tested for minimum width remaining after tearing. The samples shall be divided into two groups of equal numbers. For each group, the directional tear test shall be initiated from the opposing pouch end. The test may be performed on empty pouches that

MIL-PRF-44073H

have not been retorted. If the path of the resultant pouch tear line reduces the short side width of the remaining opened pouch to less than 3-1/2 inches when measured from the outer edge of the pouch at any point along the tear line, it shall be considered a test failure and shall be cause for rejection of the lot.

4.5.5 Residual gas volume test. The samples for test shall be opened under $75^{\circ}\text{F} \pm 5^{\circ}\text{F}$ water and the gases shall be collected by water displacement in a graduated cylinder or other calibrated tube. The volume of the gases shall be reported to the nearest 0.1 cubic centimeter (cc) for SSP. Any residual gas volume exceeding 20 cc in SSP shall be considered a test failure, except any residual gas volume exceeding 10 cc in SSP pouches filled with fruit shall be considered a test failure. The volume of the gases shall be reported to the nearest 1 cc for ISP. Any residual gas volume exceeding 250 cc in ISP pouches shall be considered a test failure and shall be cause for rejection of the lot.

4.5.6 Internal pressure test. Internal pressure resistance shall be determined by pressurizing the pouches while they are restrained between two rigid plates. The plates shall be $1/2 \text{ inch} \pm 1/16 \text{ inch}$ apart or $1 \text{ inch} \pm 1/16 \text{ inch}$ apart for SSP, or $2 \text{ inches} \pm 1/16 \text{ inch}$ apart for ISP. If a three-seal tester (one that pressurizes the pouch through an open end) is used, the closure seal shall be cut off for testing the side and bottom seals of the pouch; for testing of the closure seal, the bottom seal shall be cut off. The pouches shall be emptied prior to testing. If a four-seal tester (designed to pressurize filled pouches by use of a hypodermic needle through the pouch wall) is used, all four seals can be tested simultaneously. For SSP, the pressure shall be 20 psig for the $1/2 \text{ inch}$ plate distance and 12 psig for the 1 inch plate distance. For ISP, the pressure shall be 10 psig for the 2 inch plate distance. Pressure shall be applied at a rate of 1-2 psig per second until pressure set point is reached. The pressure set point shall be held constant for 30 seconds and then released. The pouches shall then be examined for separation or yield of the seals. Any rupture of the pouch or evidence of seal separation greater than $1/16 \text{ inch}$ in the pouch manufacturer's seal shall be considered a test failure. Any seal separation that reduces the effective closure seal width to less than $1/16 \text{ inch}$ for heat seals or less than 1.0 mm for ultrasonic seals (see table II) shall be considered a test failure and shall be cause for rejection of the lot.

4.5.7 Camouflage (Type I). External visible color of the outside surfaces of the SSP pouch material after thermal processing shall conform to the range of the government approved and standardized color swatches. Standardized swatch samples have been provided to and are on file with each contractor, each material supplier, USDA (Agricultural Marketing Service/Specialty Crops Program/Specialty Crops Inspection Division), Natick, and Defense Logistics Agency (DLA) - Troop Support. Visibly match the outside surface of the pouch material to the range of colors of the standardized color swatch samples. Failures shall be classified as minor defects.

4.5.8 Environmental conditions.

4.5.8.1 Low temperature (Type I). Fill the SSP pouches with water, seal and thermal process. Condition the unit packs in an atmosphere uniformly maintained at $28^{\circ}\text{F} \pm 2^{\circ}\text{F}$ for a period of 48 hours. During exposure, position the unit packs to allow free circulation of air around each pack. Conduct a pouch abuse test while still in the frozen state using the test apparatus shown in figure 2 (see appendix). For eight ounce unit packs, the drop height shall be 40 inches; for five ounce unit packs, the drop height shall be 64 inches. Drop each unit pack twice, once on each end. Recondition tested unit packs to ambient temperature for at least 24 hours and examine visually. Any pouch leakage shall be considered a test failure and shall be cause for rejection of the lot.

4.5.8.2 High temperature (Type I). Fill the SSP pouches with water, seal and thermal process. Condition the unit packs in an atmosphere uniformly maintained at $160^{\circ}\text{F} \pm 2^{\circ}\text{F}$ for a period of 48 hours. During exposure, position the unit packs to allow free circulation of air around each pack. Conduct a pouch abuse test using the test apparatus shown in figure 2 (see appendix). For eight ounce unit packs, the drop height shall be 40 inches; for five ounce unit packs, the drop height shall be 64 inches. Drop each unit pack twice, once on each end. Recondition tested unit packs to ambient temperature for at least 24 hours and examine visually. Any pouch leakage shall be considered a test failure and shall be cause for rejection of the lot.

4.5.8.3 Standard temperature (Type II). Each ISP pouch, filled with either water or a representative food product and processed as specified in the applicable food document, shall be inserted into the sleeve. Four filled, sealed and thermal processed ISP pouches shall be packed in a fiberboard box conforming to style RSC-L of ASTM D5118/D5118M. The fiberboard shall conform to type CF, class D, variety SW, grade 275 of ASTM D4727/D4727M, Standard Specification for Corrugated and Solid Fiberboard Sheet Stock (Container Grade) and Cut Shapes. The box shall be closed in accordance with ASTM D1974/D1974M. Condition the box of four ISPs in an atmosphere uniformly maintained at $72^{\circ}\text{F} \pm 2^{\circ}\text{F}$ for a period of 48 hours. Conduct a drop test in accordance with ASTM D5276, Ten Drop Cycle at a height of 21 inches. Immediately after completion of the drop test, conduct a vibration test (on the same box of four ISPs) in accordance with ASTM D999, at 268 RPM (4.5 Hz) for a period of one hour. Remove ISPs from the box and examine visually. Any cracked, split or leaking ISP at any location, or tear, hole, or puncture through the sleeve causing a hole in the ISP; or wet or stained sleeve due to one or more leaking ISPs; or any evidence of food product leakage from ISP shall be considered a test failure and shall be cause for rejection of the lot.

4.5.8.4 Frozen temperature (Type II). Prepare the box of four ISPs as specified in 4.5.8.3, but condition in an atmosphere uniformly maintained at $-20^{\circ}\text{F} \pm 2^{\circ}\text{F}$ for a period of 48 hours. While still in frozen state, conduct drop and vibration tests as specified in 4.5.8.3.

MIL-PRF-44073H

Remove ISPs from the box and allow to fully thaw prior to visual examination. Any cracked, split or leaking ISP at any location, or tear, hole, or puncture through the sleeve causing a hole in the ISP; or wet or stained sleeve due to one or more leaking ISPs; or any evidence of food product leakage from ISP shall be considered a test failure and shall be cause for rejection of the lot.

4.5.9 Sleeve closure bond strength. Compliance with required bond strength in sleeve closure shall be verified by visually examining the paperboard flaps or the fiberboard sleeve for evidence of fiber tear after opening. Absence of fiber tear shall be considered a test failure and shall be cause for rejection of the lot.

5. PACKAGING

This section is not applicable to this specification.

6. NOTES

(This section contains information of a general or explanatory nature that may be helpful, but is not mandatory.)

6.1 Intended use. The requirements for the packaging of food in flexible pouches cited by this specification are intended for use in the production of retort food products for individual rations.

6.2 Acquisition requirements. Acquisition documents must specify the following:

- a. Title, number, and date of the specification.
- b. Type, style, and design required (see 1.2).
- c. Conformance inspection (see 4.1).
- d. Pouch sizes for SSP (see 3.1.2 and Figures (see appendix)).
- e. Pouch size for ISP (see 3.1.2 and Figure 3 (see appendix)).

6.3 Thermal processed products. The preparation and thermal processing of foods in hermetically sealed containers and finished product inspection should be established, controlled and verified by the processor in accordance with the Food and Drug Administration (FDA) (CFR Title 21 Part 113: Low Acid Canned Foods and Part 114: Acidified Foods) and the United States Department of Agriculture (USDA) (CFR Title 9 Part 302 Subpart G: Canned Meat and Poultry Products) regulations.

6.4 Pouch material.

6.4.1 Type I pouch material. The US Army Research, Development, and Engineering Command, Natick Soldier Research, Development, and Engineering Center has found that for preformed SSP pouches, a material structure consisting of, from inside to outside, 0.003 to 0.004 inch thick polyolefin, 0.00035 to 0.0007 inch thick aluminum foil, 0.0006 inch thick biaxially oriented polyamide-type 6, and 0.0005 inch thick polyester meets the performance criteria of this specification. Alternatively, the aluminum foil layer and the biaxially oriented polyamide layer may be in either order. For the formed, tray-shaped body of a horizontal form-fill-seal (HFFS) SSP pouch, it has been found that a material structure consisting of, from inside to outside, 0.003 to 0.004 inch thick polyolefin, 0.0006 inch thick biaxially oriented polyamide-type 6, 0.0015 to 0.00175 inch thick aluminum foil and 0.0010-0.0014 inch thick oriented polypropylene meets the performance criteria of this specification. For the lidding material for the HFFS SSP pouch, it has been found that a material structure consisting of, from inside to outside 0.003 to 0.004 inch thick polyolefin, 0.00035 to 0.0007 inch thick aluminum foil and 0.0005 to 0.00075 inch thick polyester meets the performance criteria of this specification. The above values and ranges expressed for the thickness of thin gauge plastic films and aluminum foil are nominal values. A plus or minus 20% tolerance is typical for thin gauge plastic film thickness measurements and a plus or minus 10% tolerance is typical for aluminum foil thickness measurements.

6.4.2 Type II pouch material. The US Army Research, Development, and Engineering Command, Natick Soldier Research, Development, and Engineering Center has found that for preformed ISP pouches, a material 5-layer structure consisting of, from inside to outside, 0.004 inch thick polyolefin, 0.00098 inch thick biaxially oriented polyamide, 0.00035 inch thick aluminum foil, 0.00059 inch thick biaxially oriented polyamide, and 0.00047 inch thick polyester meets the performance criteria of this specification. The above values and ranges expressed for the thickness of thin gauge plastic films and aluminum foil are nominal values. A plus or minus 20% tolerance is typical for thin gauge plastic film thickness measurements and a plus or minus 10% tolerance is typical for aluminum foil thickness measurements.

6.5 Sleeve design and material.

6.5.1 Type II Sleeve design and material. It has been found that a ISP sleeve constructed of grade 275 fiberboard in accordance with ASTM D4727/D4727M, oriented with flutes parallel to the sleeve width, jointed and hot melt glued along either the vertical length or bottom face of the sleeve, and then ends closed and compressed and securely taped across the open ends of the sleeve at their midpoints meets the performance criteria of this specification.

6.6 Directional tear tester. It has been found that a Directional Tear Tester developed under the Defense Logistics Agency Combat Ration Network Program, Short Term Project

#3013, meets the performance criteria of this specification. With this apparatus, the pouch lays on a horizontal surface and is oriented with one short side of the pouch against a backstop. The tear notch is positioned between the two grippers. The test stand has a linear air slide that rotates the gripper that grips the pouch above the tear notch, initiates the tear, and then pulls the gripper straight across in a parallel line to the opposite short side seal, while maintaining the pouch position on the supported surface by the second gripper.

6.7 Subject term (key word) listing.

First Strike Ration® (FSR)
Food Packet, Modular Operational Ration Enhancement (MORE)
Humanitarian Daily Ration
Meal, Ready-to-Eat (MRE)
Operational Rations
Institutional Size
Single Serving

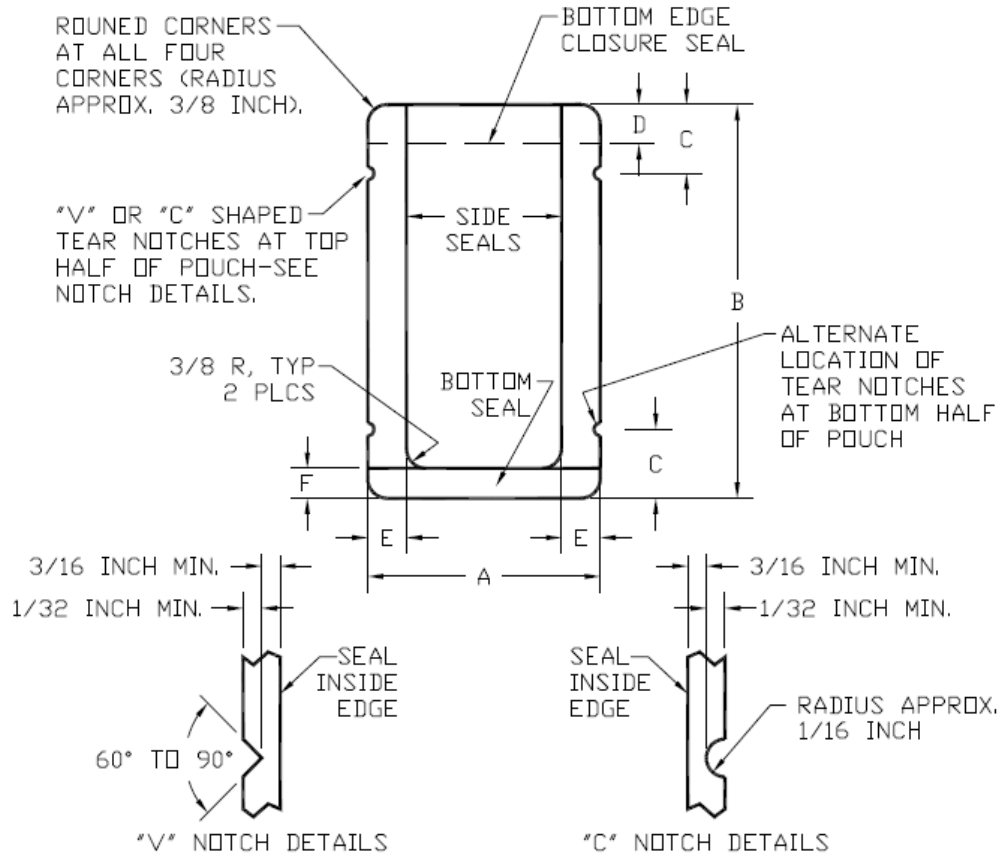
6.8 Changes from previous issue. Marginal notations are not used in this revision to identify changes with respect to the previous issue due to the extent of the changes.

MIL-PRF-44073H

APPENDIX

10. SCOPE

10.1 Scope. This appendix is a mandatory part of this specification. The information contained herein is intended for compliance.



POUCH SIZES	DIMENSIONS IN INCHES					
	A	B	C	D	E	F
5 OUNCE SIZE	4 3/4 (+ 1/16 - 1/8)	6 1/16 TO 6 1/4	1 (± 1/16)	3/4 MAX.	7/32 MIN.	1/8 MIN.
		6 1/4 TO 7 3/8	1 1/2 ± 1/16	1 MAX.		

FIGURE 1 Single Serving Pouch

MIL-PRF-44073H

APPENDIX

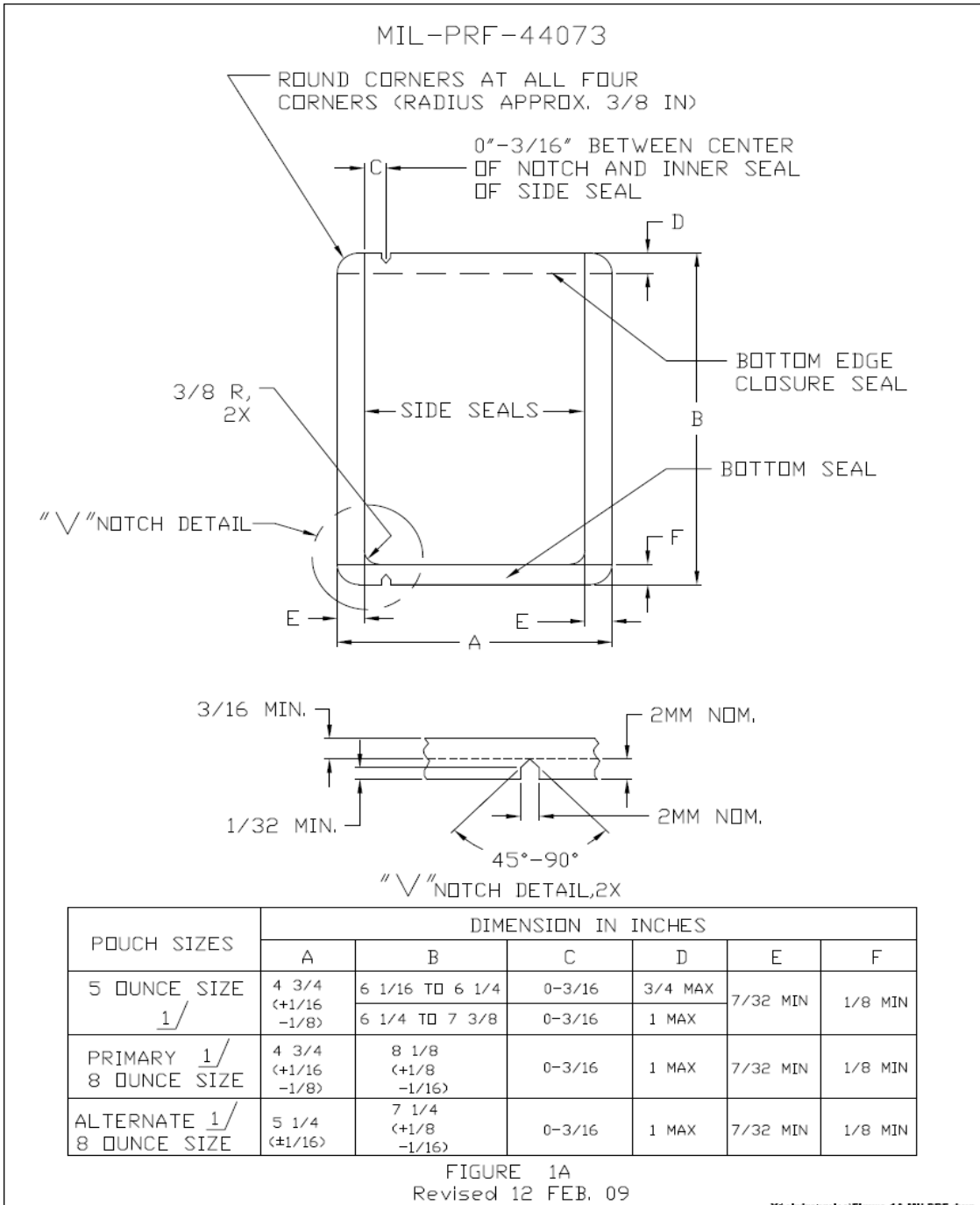


FIGURE 1A Directional Tear Pouch

APPENDIX

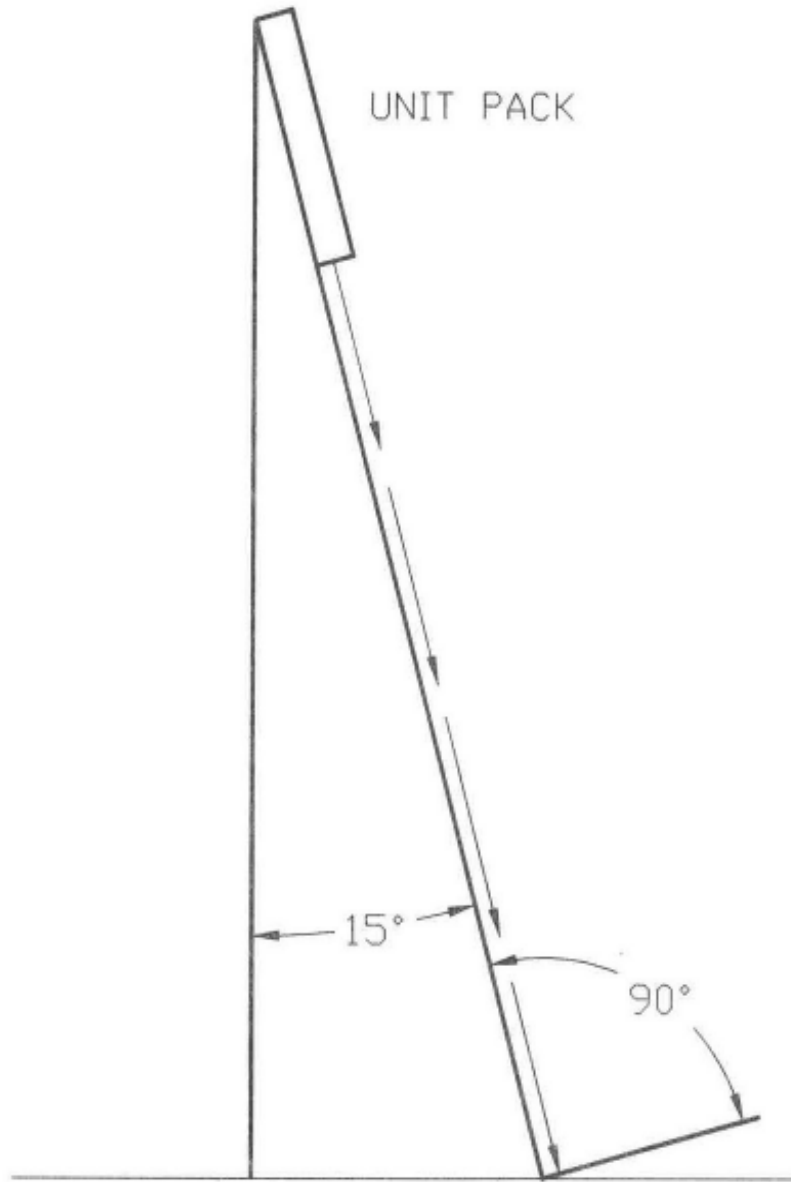


FIGURE 2
POUCH ABUSE TEST APPARATUS

MIL-PRF-44073H

APPENDIX

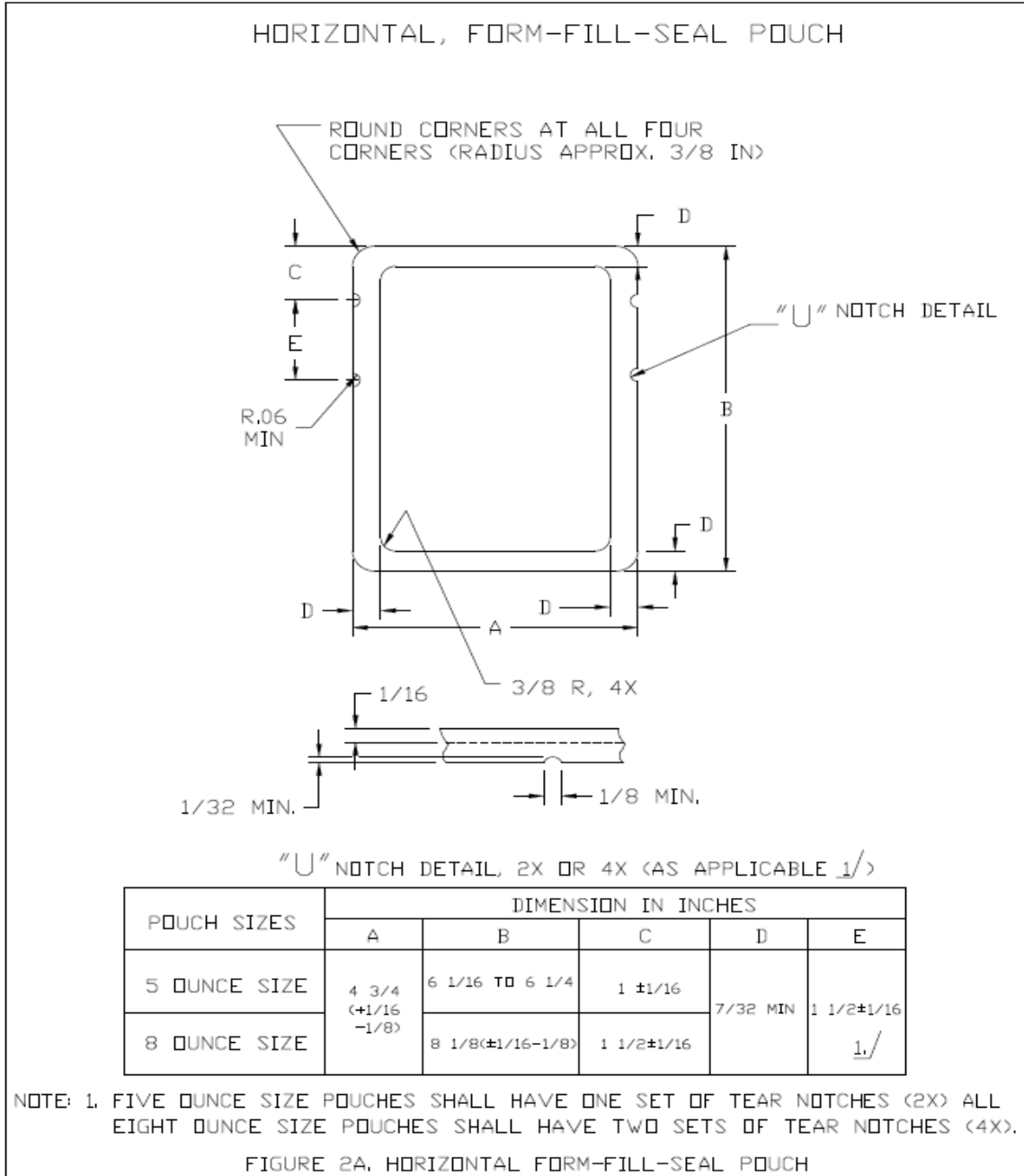


FIGURE 2A Horizontal Form-Fill-Seal Pouch

MIL-PRF-44073H

APPENDIX

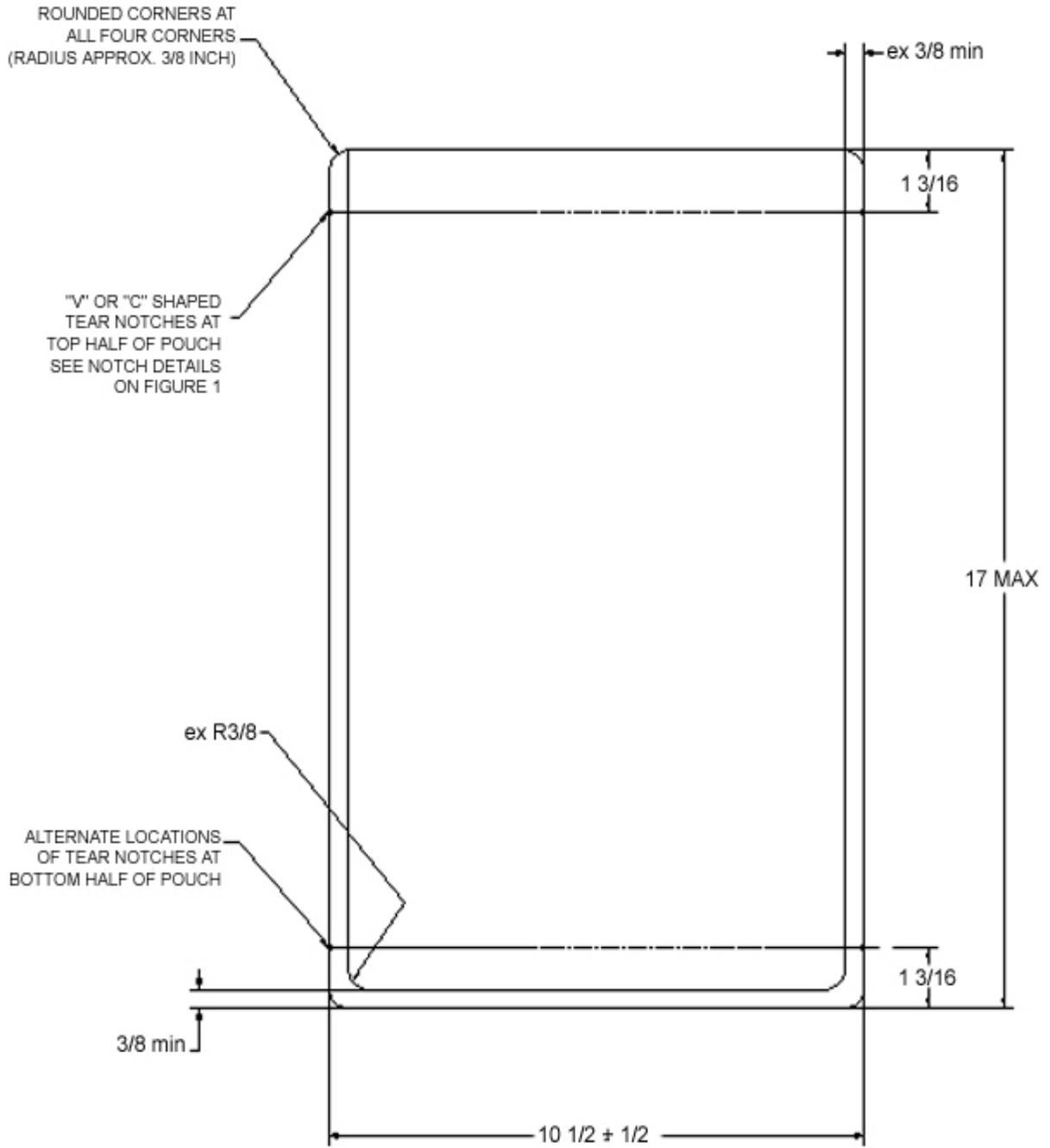


FIGURE 3. Institutional Size Pouch
(Not actual size)

MIL-PRF-44073H

APPENDIX

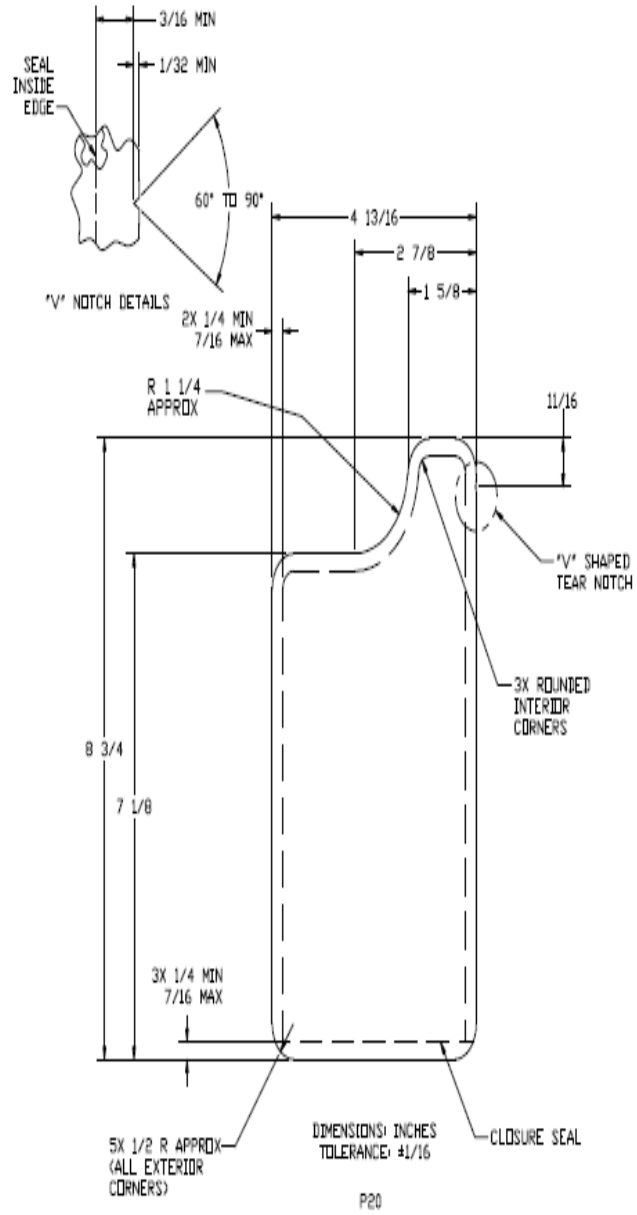


FIGURE 4 Side Spout Pouch

MIL-PRF-44073H

APPENDIX

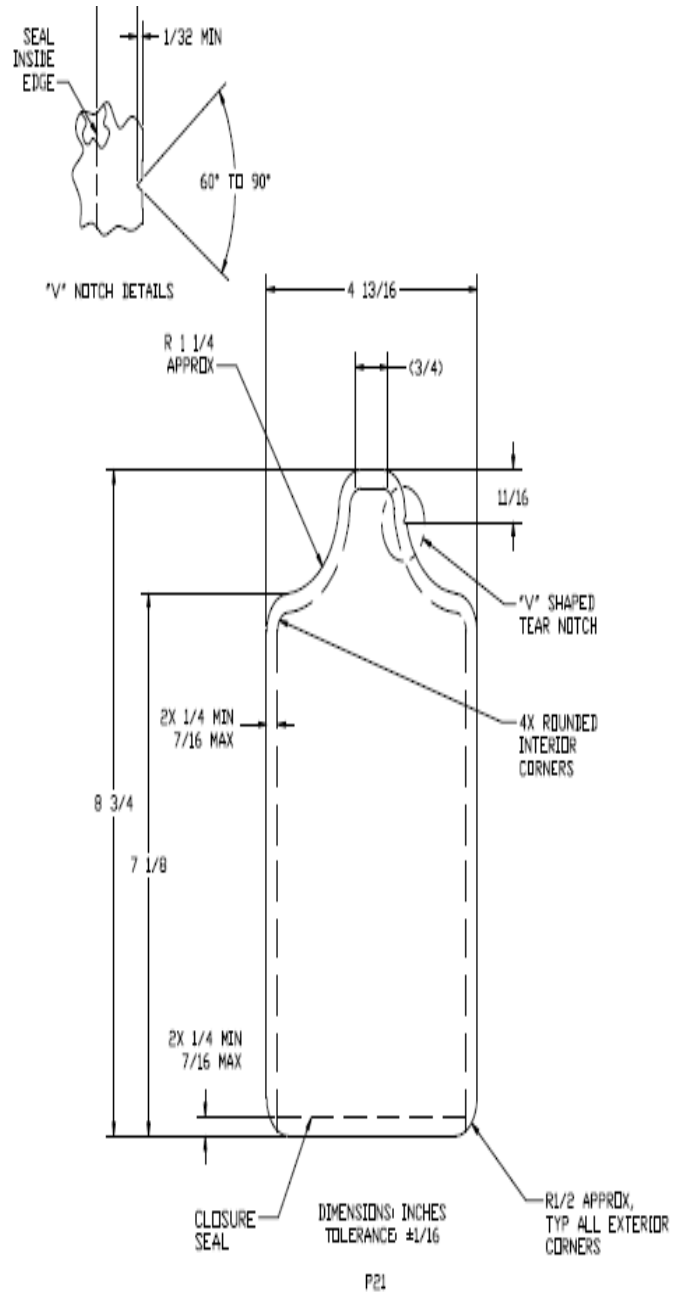


FIGURE 5 Center Spout Pouch

APPENDIX

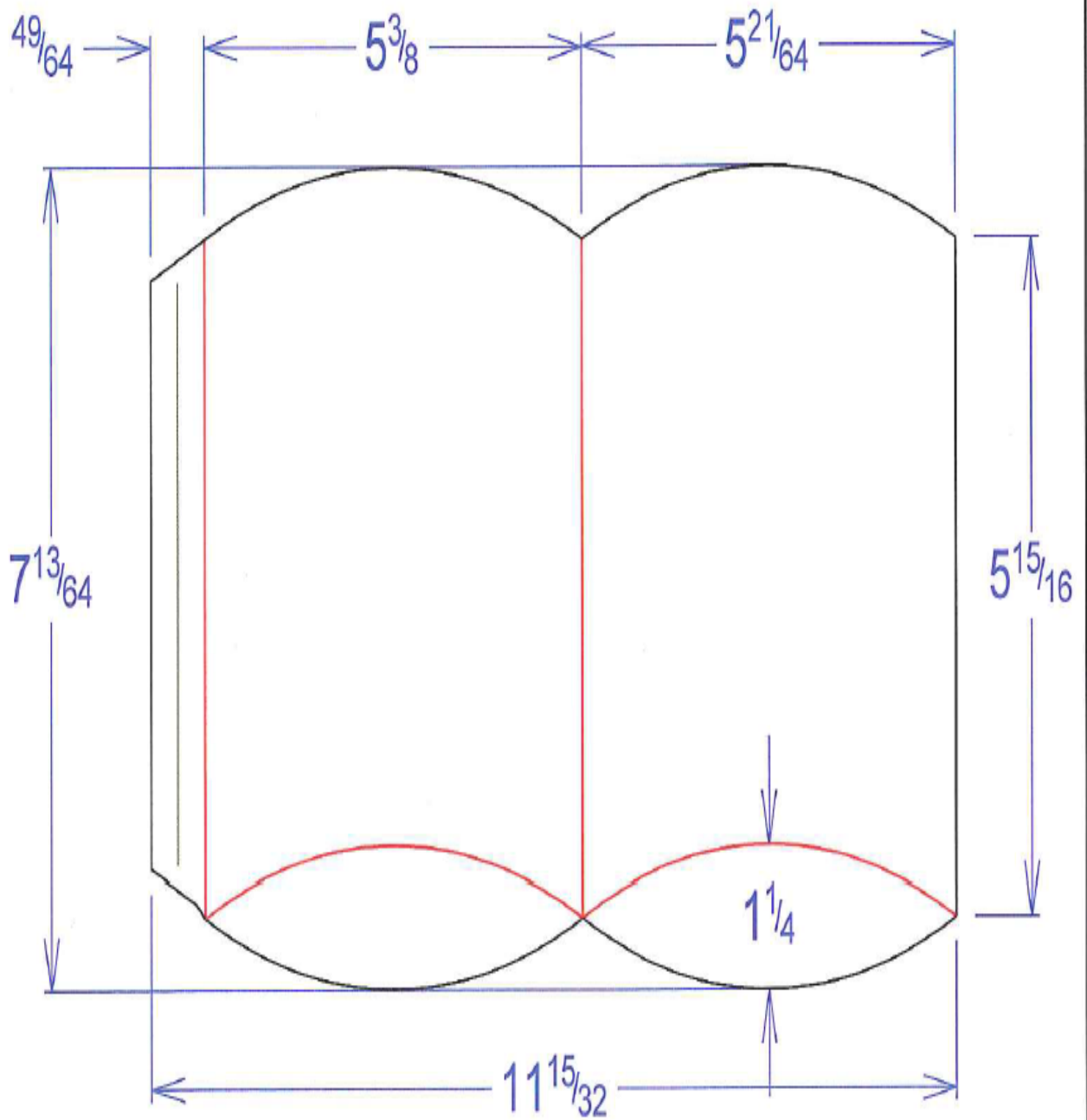


FIGURE 6 Sleeve Design

MIL-PRF-44073H

Custodians:

Army - GL
Navy - SA
Air Force - 35

Preparing activity:

Army - GL
(Project 89GP-2017-001)

Review activities:

Army - MD, QM
Navy - MC
DLA - SS

NOTE: The activities listed above were interested in this document as of the date of this document. Since organizations and responsibilities can change, you should verify the currency of the information above using ASSIST Online database at <https://assist.dla.mil/>.