

# For DLA Troop Support Website Posting

RDNS-CFF

28 Oct 2013

TO: DLA Troop Support – Subsistence DSCP-FTRE

SUBJECT: ES14-001 (DSCP-SS-14-00039); Document Change to MIL-R-44398B, Ration Supplement, Flameless Heater, For Meal, Ready-To-Eat, Drawing 6-1-8920

1. Natick requests a change to the MIL-R-44398B, Ration Supplement, Flameless Heater, For Meal, Ready-to-Eat, Drawing 6-1-8920 to accommodate the Joint Service approved transition from paperboard cartons to paperboards sleeves in the Meal, Ready-to-Eat™ (MRE™).

2. Natick requests the following changes to MIL-R-44398B, Ration Supplement, Flameless Heater, For Meal, Ready-to-Eat, Drawing 6-1-8920:

a. The Warning and Operating Instruction sections of Drawing 6-1-8920 should be replaced with the attached drawing.

8

7

6

5

4

3

2

1

REVISIONS						
ZONE	LTR	DESCRIPTION	PROJ	DFCR	APVD	DATE
	D	REVISED AND REDAWN PER DR-G-001-02	P. S.		P. S.	02-08-16
C5	E	REMOVED OPERATING INSTRUCTION'S TEXT PER DR-G-026-04	R. V.		R. V.	04-12-21
	F	REVISED PER DR-S-036-13	S. G.		S. G.	13-10-24

THIS DRAWING HAS BEEN GENERATED AND IS MAINTAINED BY A CAD SYSTEM. CHANGES SHALL ONLY BE INCORPORATED AS DIRECTED BY THE DESIGN ACTIVITY.

**MRE™ (MEAL, READY-TO-EAT™) HEATER**  
**US**  
8970-01-321-9153

**WARNING**

- Vapors released by activated heater contain hydrogen, a flammable gas. Do not place an open flame in the vapor.
- Vapors released by the activated heater can displace oxygen. When ten or more heaters are used inside a vehicle or shelter, ensure the ventilation system is operating or a top hatch or door is open.
- Hot water leakage can burn and cause a cold-weather injury. Use caution if carrying activated heater in pocket.
- After heating, the heater bag and MRE™ pouch will be very hot. Use caution when removing MRE™ pouch from bag.
- Discard heater and bag after use. Do not drink the water remaining in the bag or use it in food items.

**HEATER AND ITS BYPRODUCTS ARE NOT INTENDED FOR HUMAN CONSUMPTION.**

**OPERATING INSTRUCTIONS**

- Remove MRE™ pouch and paperboard sleeve from MRE™.
- Tear off top of bag. Place MRE™ pouch in bag with heater.
- While holding MRE™ pouch and heater above lines on bag, pour water into bag until it reaches a level between lines. Slide heater and MRE™ to bottom of bag and fold top of bag to side opposite of heater.
- Stuff assembly into sleeve with top of bag folded over top of MRE™ and heater underneath.
- With heater UNDERNEATH MRE™, hold sleeve level until heater feels warm or until one minute elapses.
- To prevent water from escaping and to maximize heat output, always keep HEATER located UNDERNEATH MRE™, BAG folded OVER TOP OF MRE™, and SLEEVE INCLINED, with FOLDED END of bag UP.

After ten to fifteen minutes (depending on air temperature) top half of bag can be torn off and the MRE™ can be removed and eaten.

Knead MRE™ to ensure uniform temperature. CAUTION: The contents will be hot.

9.00" - 11.00"

5.00

**DISTRIBUTION STATEMENT A**  
THIS DOCUMENT IS APPROVED FOR PUBLIC RELEASE; DISTRIBUTION IS UNLIMITED.

SIZE	CAGE	DRAWING NO.
D	81337	6-1-8920
SCALE 1/1	UNIT WT.	SHEET 2 OF 2

SHT 2 DWG NO. 6-1-8920

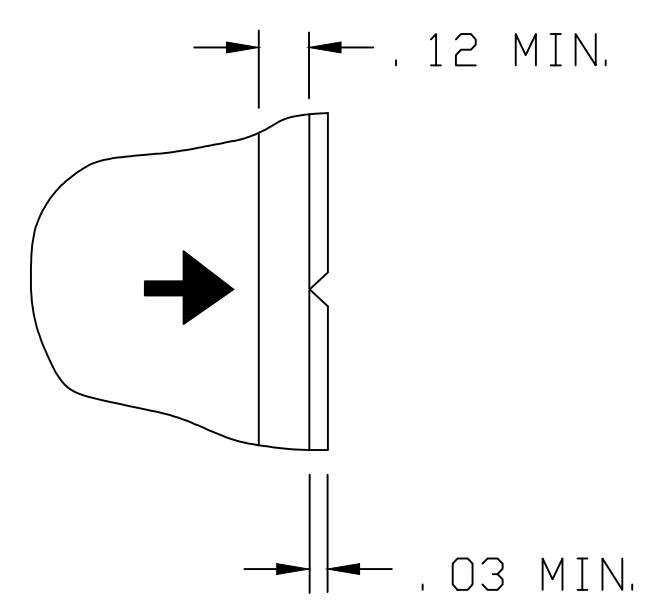
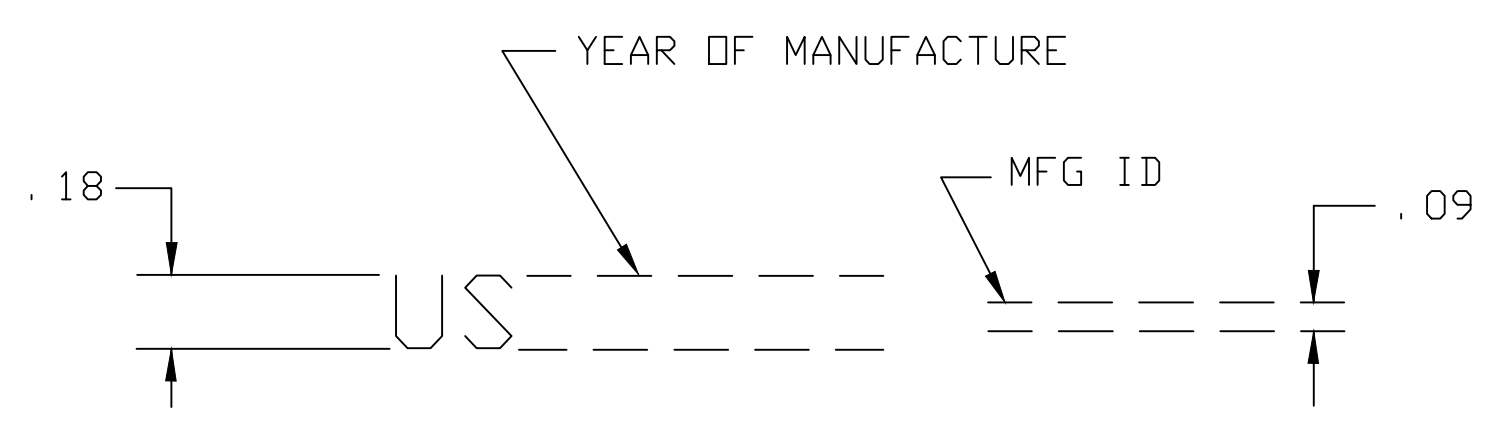
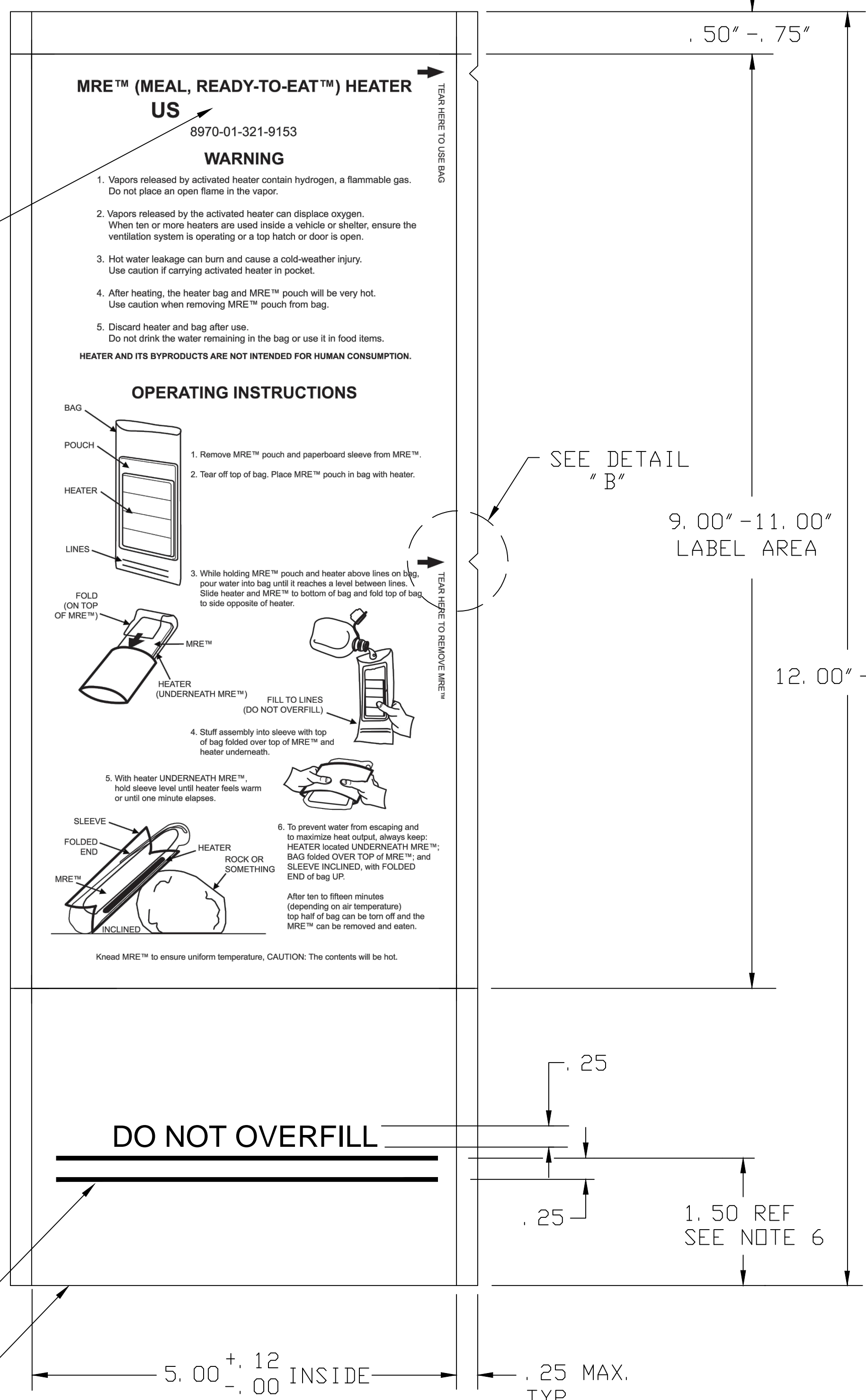
8 | 7 | 6 | 5 | 4 | 3 | 2 | 1

NOTES:

- MATERIAL: HDPE CLEAR SIDE WELD BAG (ORIENTED WITH SIDE SEALS PERPENDICULAR TO THE MACHINE DIRECTION).
- BAG INSIDE DIMENSIONS: 12.00" - 14.00" X 5.00".
- MATERIAL THICKNESS: 2.5 MIL MIN.
- LABEL: FLEXOGRAPHIC PRINTING, BLACK LETTERING ON A LIGHT GREEN OR TAN BACKGROUND PER MIL-R-44398.
- SEE MIL-R-44398 FOR PERFORMANCE REQUIREMENTS.
- THE TOP FILL LINE SHALL BE LOCATED AT A POSITION EQUIVALENT TO NO MORE THAN 2 OUNCES OF WATER, AS DETERMINED BY THE PERFORMANCE REQUIREMENTS IN MIL-R-44398 FOR TEMPERATURE RISE AND RESIDUAL WATER.

REVISIONS					
ZONE	LTR	DESCRIPTION	PRJ DFCR	APVD	DATE
	D	REVISED AND REDRAWN PER DR-G-001-02	P. S.	P. S.	02-08-16
C5	E	REMOVED OPERATING INSTRUCTION'S TEXT PER DR-G-026-04	R. V.	R. V.	04-12-21
	F	REVISED PER DR-S-036-13	S. G.	S. G.	13-10-24

THIS DRAWING HAS BEEN GENERATED AND IS MAINTAINED BY A CAD SYSTEM. CHANGES SHALL ONLY BE INCORPORATED AS DIRECTED BY THE DESIGN ACTIVITY.



**MRE™ (MEAL, READY-TO-EAT™) HEATER**  
**US**  
 8970-01-321-9153  
**WARNING**  
 1. Vapors released by activated heater contain hydrogen, a flammable gas. Do not place an open flame in the vapor.  
 2. Vapors released by the activated heater can displace oxygen. When ten or more heaters are used inside a vehicle or shelter, ensure the ventilation system is operating or a top hatch or door is open.  
 3. Hot water leakage can burn and cause a cold-weather injury. Use caution if carrying activated heater in pocket.  
 4. After heating, the heater bag and MRE™ pouch will be very hot. Use caution when removing MRE™ pouch from bag.  
 5. Discard heater and bag after use. Do not drink the water remaining in the bag or use it in food items.  
**HEATER AND ITS BYPRODUCTS ARE NOT INTENDED FOR HUMAN CONSUMPTION.**

**OPERATING INSTRUCTIONS**

- Remove MRE™ pouch and paperboard sleeve from MRE™.
- Tear off top of bag. Place MRE™ pouch in bag with heater.
- While holding MRE™ pouch and heater above lines on bag, pour water into bag until it reaches a level between lines. Slide heater and MRE™ to bottom of bag and fold top of bag to side opposite of heater.
- Stuff assembly into sleeve with top of bag folded over top of MRE™ and heater underneath.
- With heater UNDERNEATH MRE™, hold sleeve level until heater feels warm or until one minute elapses.
- To prevent water from escaping and to maximize heat output, always keep: HEATER located UNDERNEATH MRE™; BAG folded OVER TOP of MRE™; and SLEEVE INCLINED, with FOLDED END of bag UP.

After ten to fifteen minutes (depending on air temperature) top half of bag can be torn off and the MRE™ can be removed and eaten.

Knead MRE™ to ensure uniform temperature, CAUTION: The contents will be hot.

**DO NOT OVERFILL**

.25

.25

1.50 REF SEE NOTE 6

.06 MIN. THICKNESS

WELD OR FOLD

5.00<sup>+ .12</sup> / <sub>-.00</sub> INSIDE

.25 MAX. TYP

**DISTRIBUTION STATEMENT A**  
 THIS DOCUMENT IS APPROVED FOR PUBLIC RELEASE. DISTRIBUTION IS UNLIMITED.

INTERPRET THIS DRAWING IN ACCORDANCE WITH DOD-STD-100

REVISION	DATE	BY
F		
F		
2		

REVISION STATUS OF SHEETS

UNLESS OTHERWISE SPECIFIED, DIMENSIONS ARE IN INCHES	
ANGLES	±
FRACTIONS	±
2 PLACE DIM	± .03
3 PLACE DIM	±

DATE	10-22-90
DRAWN BY	L. A. BARKHOUSE
CHECKED	
PROJ DFCR	D. M. PICKARD
APPROVED	R. VALVAND
APPROVAL DESIGN ACTIVITY	JOSEPH L. SMITH
APPLICABLE SPEC	

US ARMY NATICK RESEARCH, DEVELOPMENT AND ENGINEERING CENTER NATICK MASSACHUSETTS, 01760			
<b>BAG, RATION HEATER</b>			
SIZE	CAGE	DRAWING NO.	
D	81337	6-1-8920	
SCALE	UNIT WT.	SHEET 1 OF 2	
1/1			

SHT 1 DWG NO. 6-1-8920